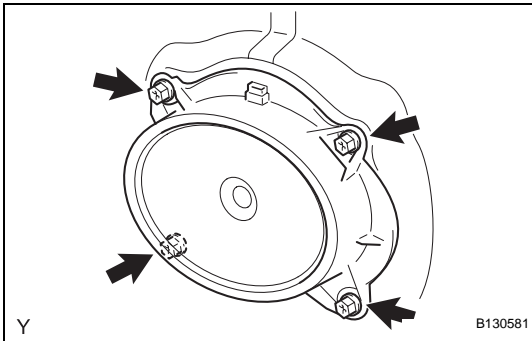
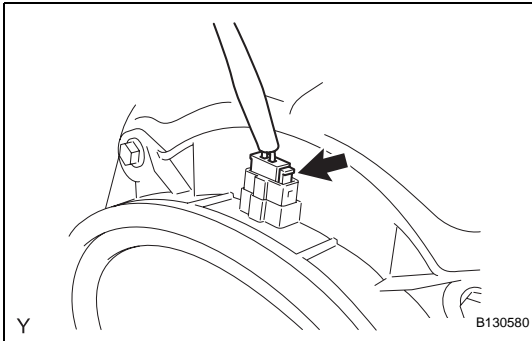


REMOVAL

HINT:

The procedure described below is for the RH side. Use the same procedure for both the RH and LH sides, unless otherwise specified.

1. **DISCONNECT CABLE FROM NEGATIVE BATTERY TERMINAL**
2. **REMOVE FRONT DOOR ARMREST BASE UPPER PANEL (See page ED-9)**
3. **REMOVE FRONT DOOR TRIM BOARD SUB-ASSEMBLY (See page ED-9)**
4. **REMOVE FRONT NO. 1 SPEAKER ASSEMBLY**
 - (a) Disconnect the speaker connector.

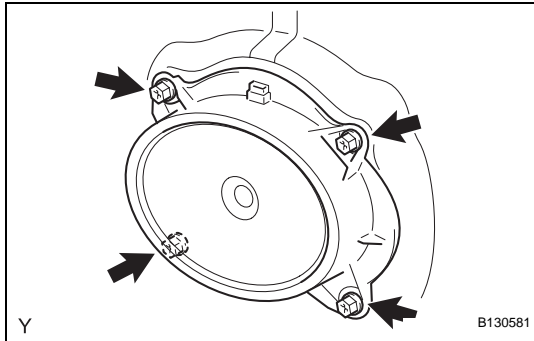


- (b) Remove the 4 screws and the front No. 1 speaker.

INSTALLATION

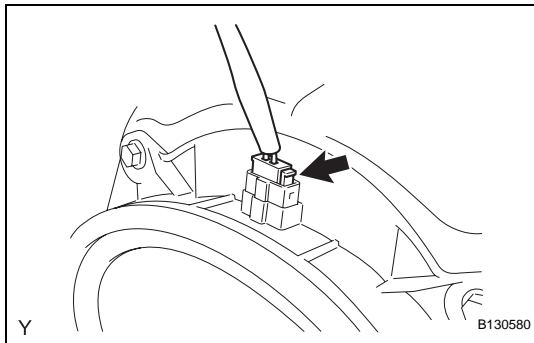
HINT:

The procedure described below is for the RH side. Use the same procedure for both the RH and LH sides, unless otherwise specified.



1. INSTALL FRONT NO. 1 SPEAKER ASSEMBLY

- (a) Install the front No. 1 speaker with the 4 screws.
Torque: 2.5 N*m (25 kgf*cm, 22 in.*lbf)



- (b) Connect the speaker connector.

2. INSTALL FRONT DOOR TRIM BOARD SUB-ASSEMBLY (See page [ED-24](#))

3. INSTALL FRONT DOOR ARMREST BASE UPPER PANEL (See page [ED-25](#))

4. CONNECT CABLE TO NEGATIVE BATTERY TERMINAL

Torque: 3.9 N*m (40 kgf*cm, 35 in.*lbf)